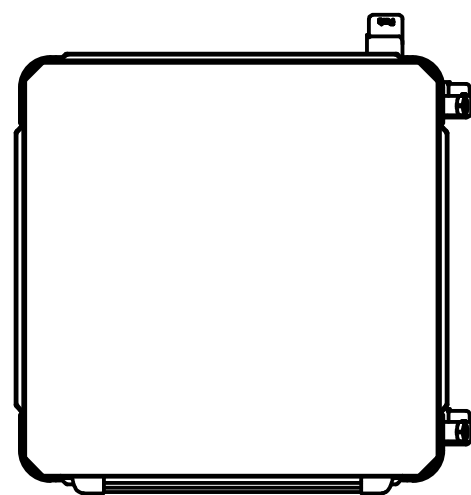
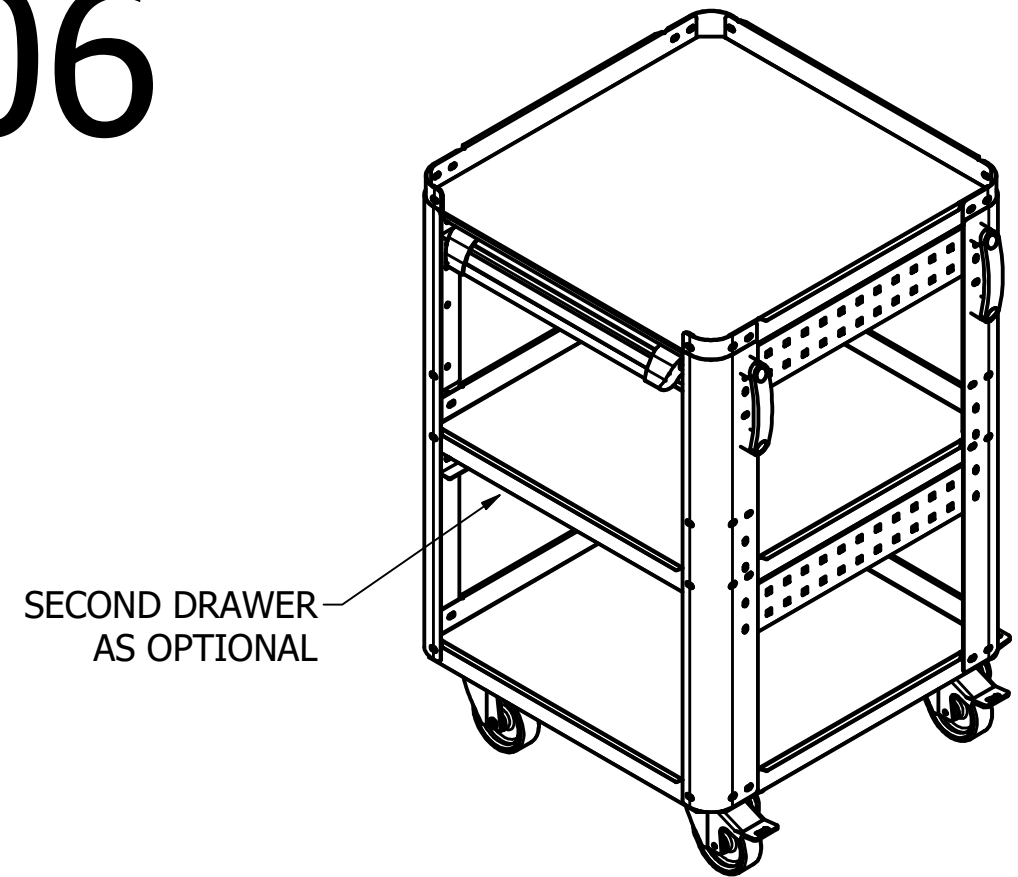
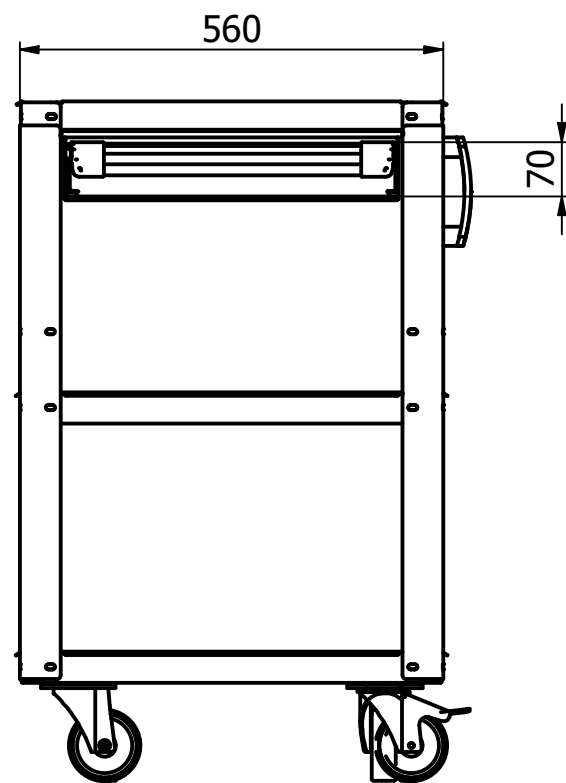
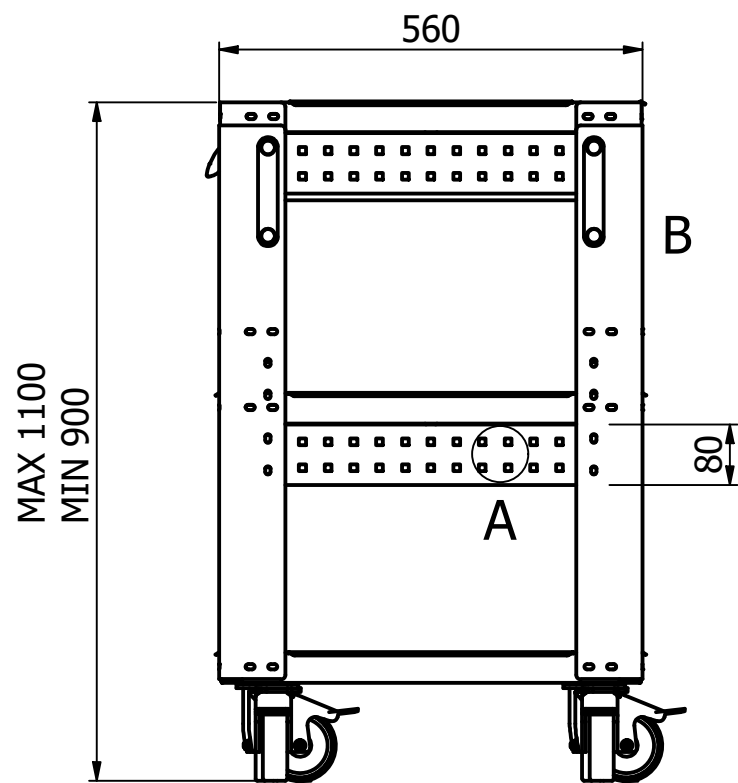
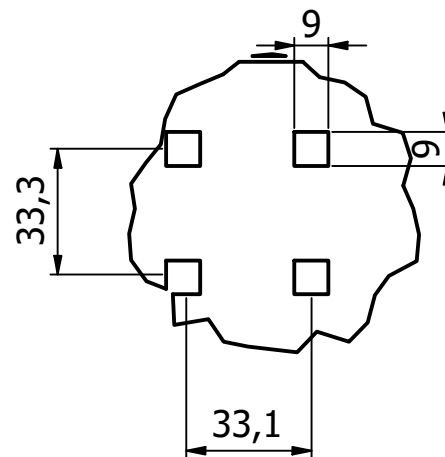


DEA S.p.A.  
 Via Masaccio, 15  
 42124 Z.I. Mancasale (RE) ITALY  
 Tel. +39 0522 1533038  
 Fax +39 0522 1544470  
 info@deaworklab.it  
 export@deaworklab.it  
 www.deaworklab.it

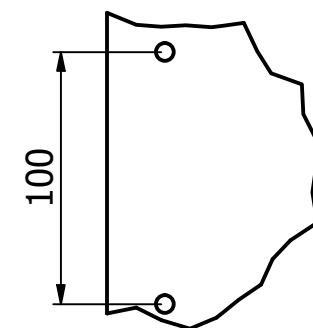
# ARV-006



A ( 1 : 2 )



B ( 1 : 3 )



3 ADJUSTING HOOKS